



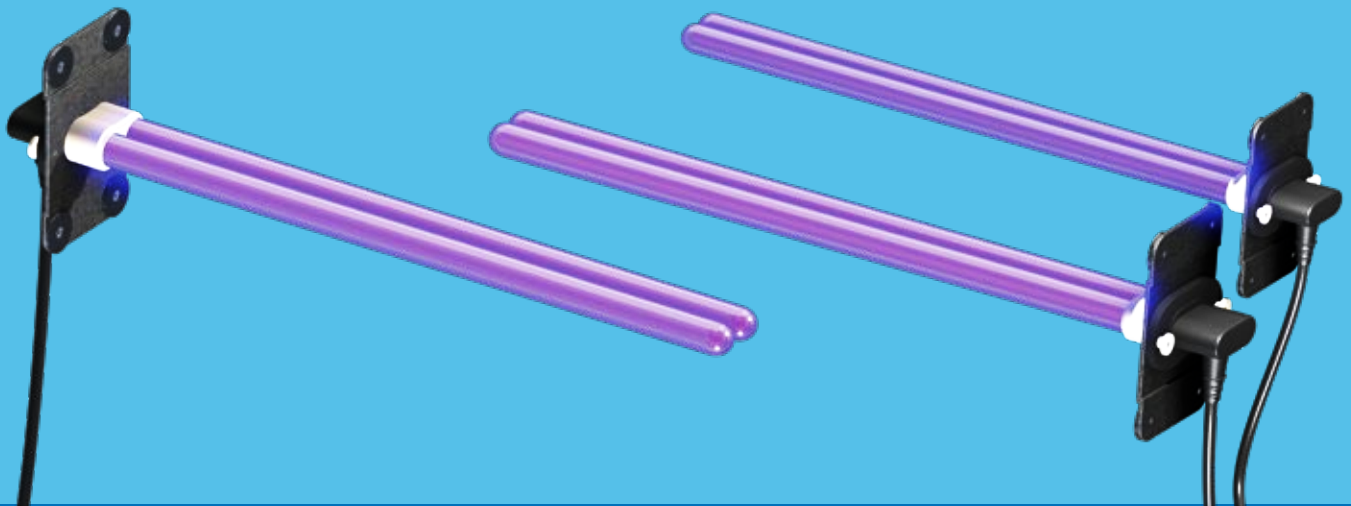
HIGH OUTPUT SINGLE & DUAL REMOTE UVC STERILIZATION SYSTEM

**TWIN
TUBE
HO LAMPS**

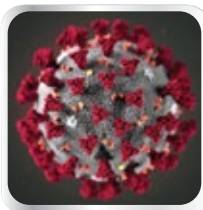
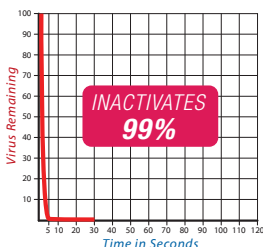
**HIGH
UVC
INTENSITY**

**HIGH
UVGI
OUTPUT**

**LAMP &
BALLAST
LED'S**

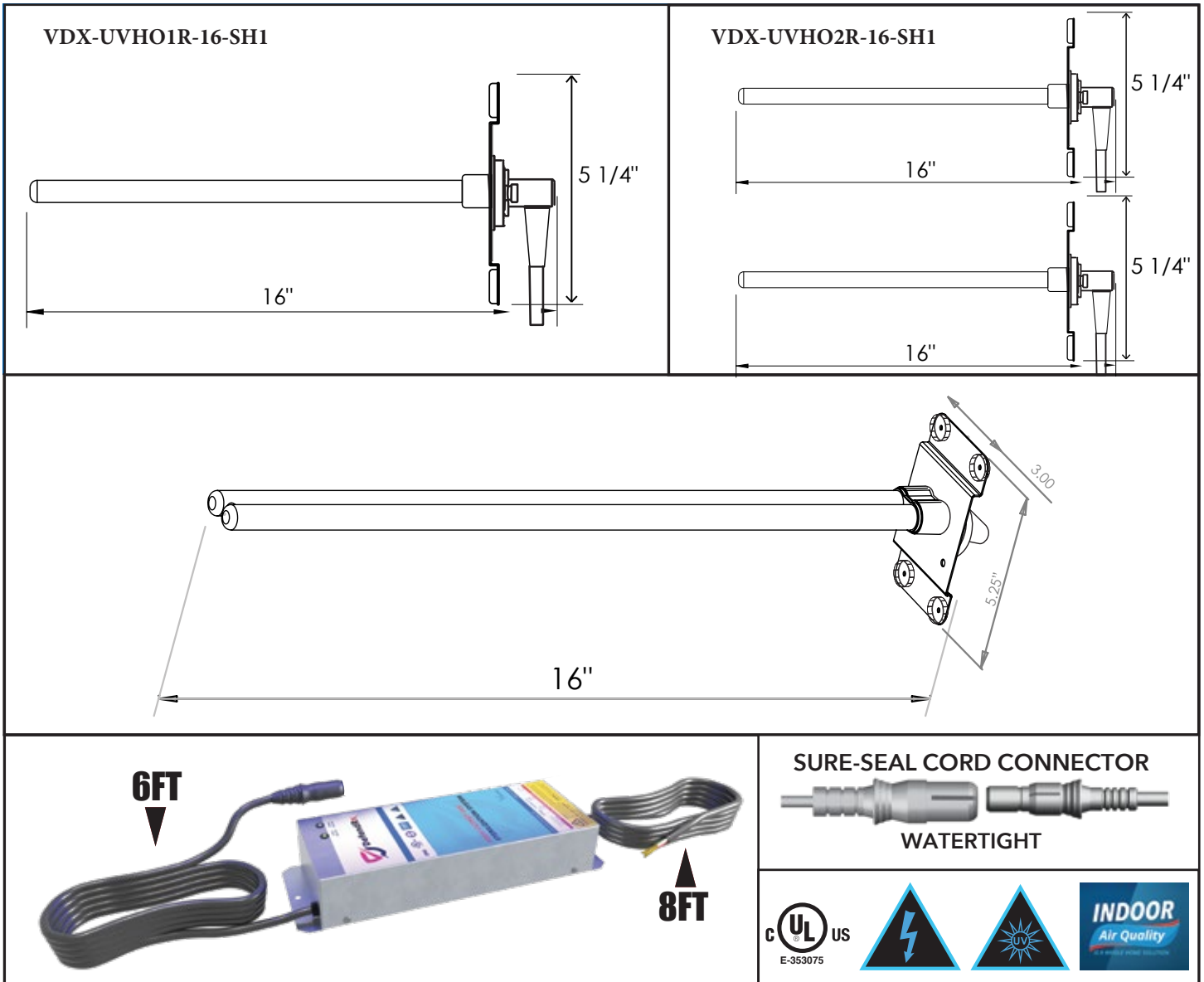


**HIGH INTENSITY DISINFECTION FOR INDOOR AIR ENVIRONMENTS
ENGINEERED FOR SURFACE AND AIRSTREAM DECONTAMINATION
MAGNETIC BASES FOR QUICK, CONVENIENT INSTALLATION**



- **MAGNETIC FLUSH MOUNT BASES**
- **WATERTIGHT LAMP SOCKETS**
- **SURE SEAL CORD CONNECTORS**
- **16" DUAL HIGH OUTPUT LAMPS**

Technology used in the Defend RX Ultraviolet system has been shown to inactivate 99% of the SARS-CoV-2 (the virus that causes COVID-19) in seconds.



The DefendRx™ High Output UVC Sterilization system, in either One or Two remote lamp configurations, offers maximum air cleansing power for the treatment of indoor air. This ultraviolet virucidal model optimizes lamp intensity to power disinfection of AHU/Furnace Coil surfaces and fast moving air in an HVAC system. For central heating & cooling systems, it will sterilize the air passing into the living space. Featuring high intensity / high output UVC wavelengths in a 1611 bulb configuration, this superior technology has been shown to inactivate 99% of the SARS-CoV-2 (the virus that causes COVID-19) in seconds. The DefendRx™ High Output UVC Sterilization system is an essential element in maintaining healthy and clean Indoor Air Quality in homes and offices.

SPECIFICATION CHART

POWER REQUIRED	MODEL PART CODE	LAMP PART CODE	LAMP LENGTH	LAMP LIFE-HRS	UVC HO LAMP	AMP DRAW	REFLECTOR OPTION
120/240/277V	VDX-UVHO1R16	VDX-UVHO-16-SH1-LAMP	16"	9000	254 Nm	1.3/.56/.56A	YES
120/240/277V	VDX-UVHO2R16	VDX-UVHO-16-SH1-LAMP	16"	9000	254 Nm	1.3/.56/.56A	YES