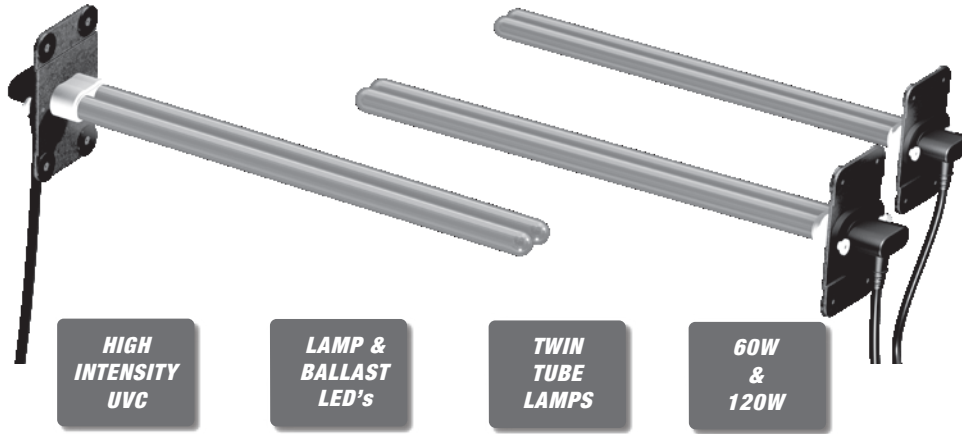




DefendRx



HIGH OUTPUT UVC STERILIZATION SYSTEM



HIGH INTENSITY UVC

LAMP & BALLAST LED's

TWIN TUBE LAMPS

60W & 120W

Features

- **Ideal for Small RTU & AHU Units**
- **High Output Germicidal Lamps**
- **Multi Voltage Ballasts**
- **Auto Sensing**
- **Water Tight Lamp Socket**
- **LED Operation Lights**
- **SureSeal Cord Connectors**
- **Magnetic Bases**

WARNING!

- ⚠ Power supply can cause electrical shock. Be sure the UV power supply is disconnected before installation begins.
- ⚠ Do not open the ballast unit as it is designated to be installed as one piece. There are no service components inside.
- ⚠ UV light may affect plastics in the heating and cooling system. Select a location that reduces lamp exposure to plastic components that are not UV resistant.
- ⚠ Do not touch glass without gloves. Keep lamp surface clean.
- ⚠ Lamps contain small amounts of mercury. If lamp breakage occurs, clean area and dispose with care.
- ⚠ To minimize the risk of UV exposure to skin and eyes, only power the lamp when the installation is complete. Lamp illumination is confirmed by the UV safety port window.
- ⚠ Disconnect power before all lamp change-outs or servicing. There are several disconnects. We recommend completely disconnecting all power from electrical power supply.

Specifications

Replacement Lamps

<p>Dimensions: 5.625" X 3.5" X 19" & 23"</p> <p>Electrical: 120/240/277V</p> <p>Weight: Less than 4 lbs.</p> <p>Humidity: Water - resistant lamp</p> <p>Lamp Life 9000 hours</p> <p>Amp Draw: 1.35/.56/.56A</p>	<p>MODEL:</p> <p>VDX-UVHO1R-16-SH1 VDX-UVHO2R-16-DH1</p>	<p>REPLACEMENT LAMP:</p> <p>VDX-UVHO1&2R-16-SH1-LAMP VDX-UVHO1&2R-16-SH1-LAMP</p>
---	---	--

Unit Asseby Steps

- 1) Insert lamp into watertight lamp socket as shown. See Figure 1

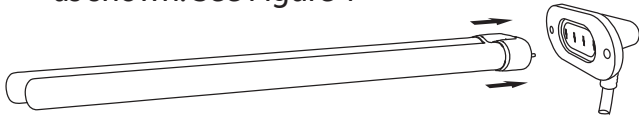


Figure 1

- 3) Secure the lamp assembly to the magnetic metal base with the two thumb screws provided - **DO NOT OVERTIGHTEN!** - See figure 3

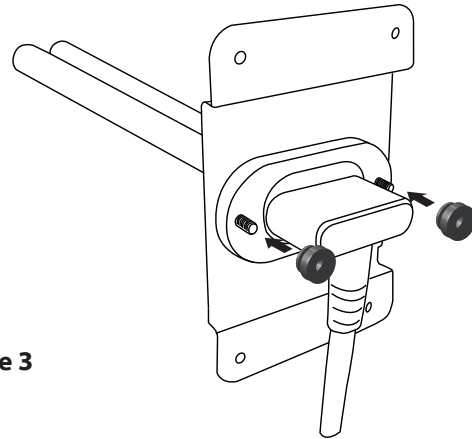


Figure 3

- 2) Insert lamp & socket assembly into magnetic metal lamp base. See figure 2

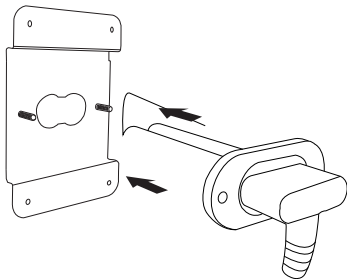
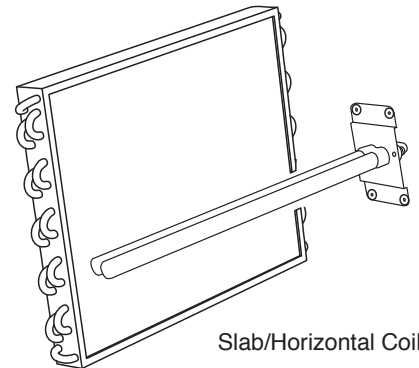
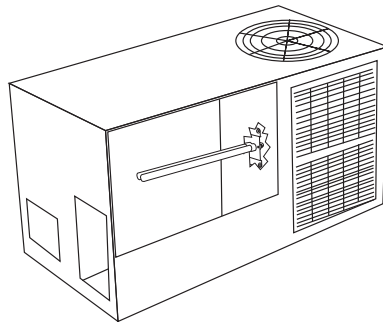


Figure 2

MOUNTING OPTIONS

NOTE:

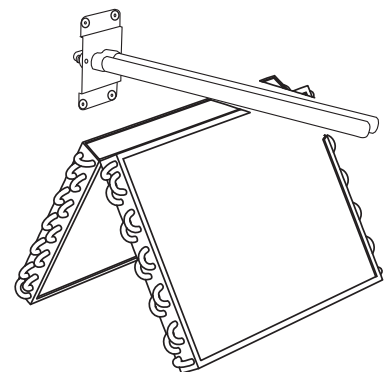
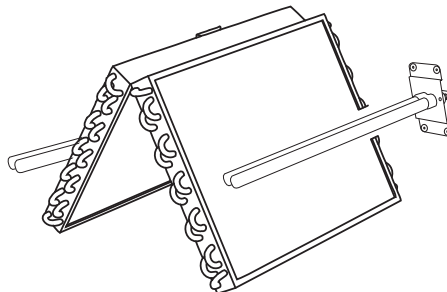
All magnetic base UV purifiers must be installed out of the weather when placed inside Package or Rooftop units.



Slab/Horizontal Coil

NOTE:

All magnetic base UV purifiers must be installed out of the weather when placed inside Package or Rooftop units.



Lamp configuration

It is recommended that the lamps be installed 12" from the coil surface. See Figure A.

The UVC System system can be installed on either side of the coil dependent upon access.

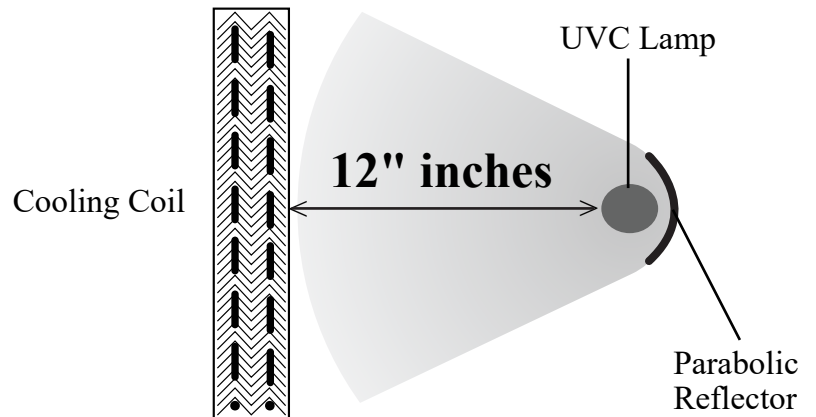


Figure A

Multiple unit installation can have up to 35" of space between two lamps. See Figure B
The optimum spacing between two lamps is 24" See Figure C.

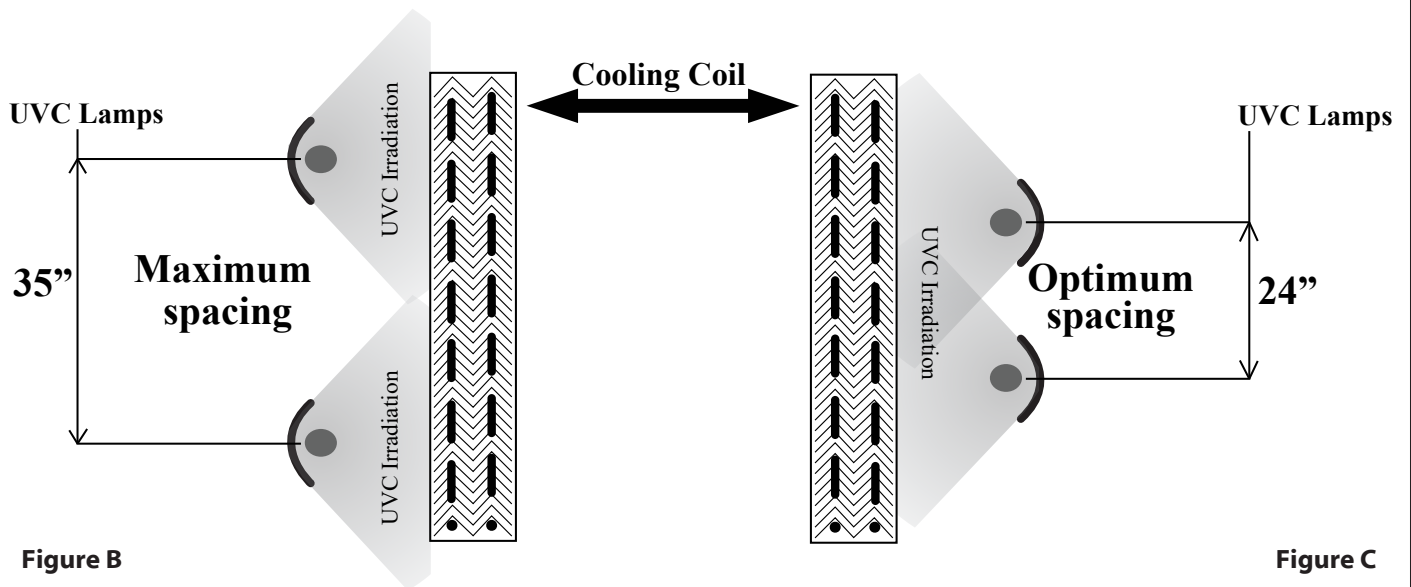


Figure B

Figure C

NOTE: The maximum germicidal range of effectiveness is up to 18" in a diameter from the center of the lamp. The optimal range is 12" from the center of the lamp.



NOTE: DO NOT POWER BALLAST UNTIL ALL CONNECTIONS ARE COMPLETE

9) Select Ballast location & secure with option A or B.
 OPTION A) - Attach Ballast Magnetically - See figure 9a

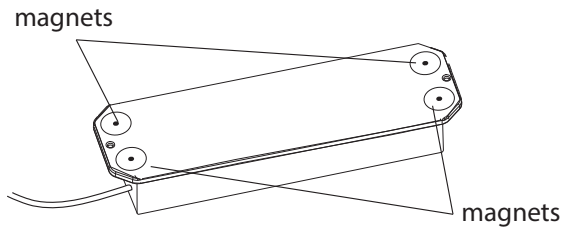


Figure 9a

OPTION B) - Attach Ballast with screws - See figure 9b

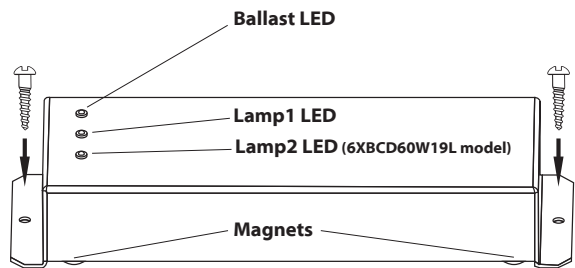


Figure 9b

10) If required drill 3/4" access hole for female ballast socket through metal panel to access lamp installation location. (Figure 10)

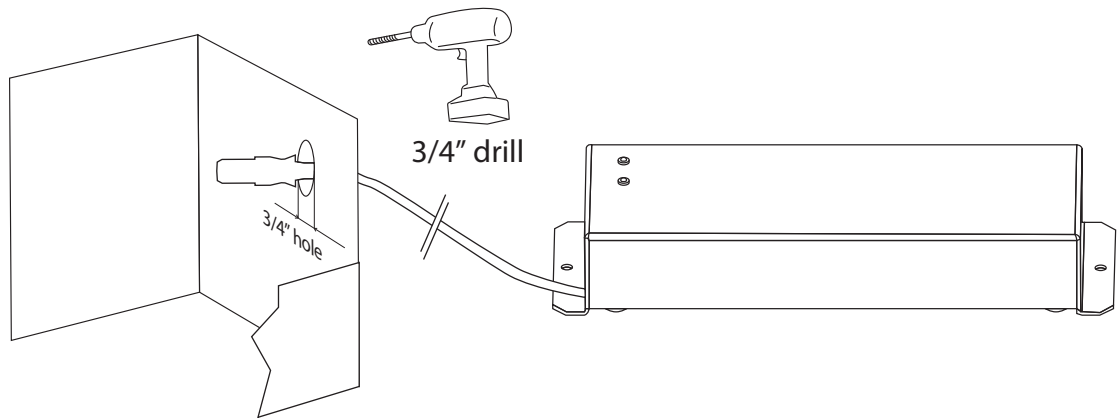


Figure 10

11) Connect the lamp cord male socket (Figure 11a) to the female ballast socket (Figure 11b) as shown. Be sure to align socket marks before connecting. (Figure 11c)

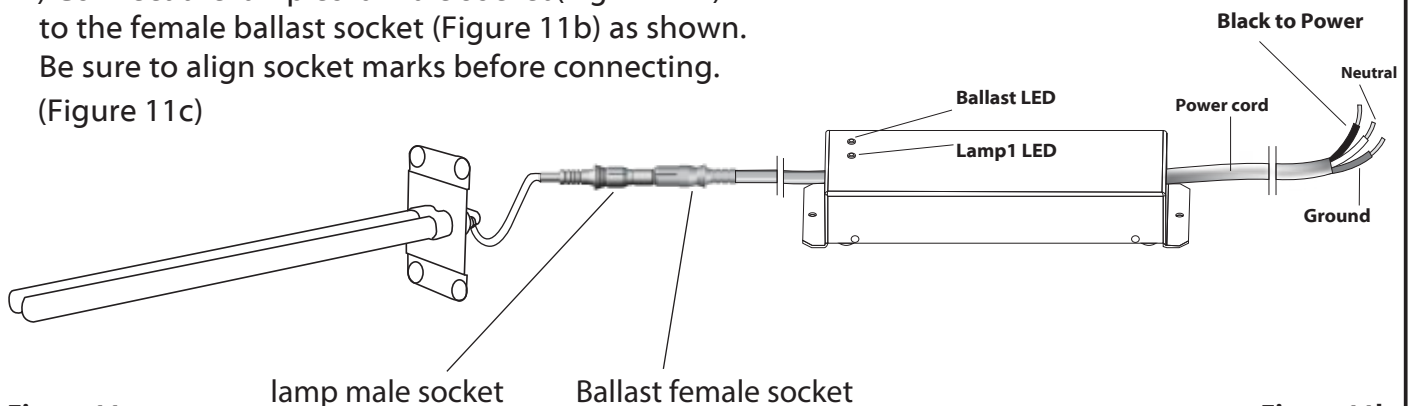


Figure 11a

Figure 11b

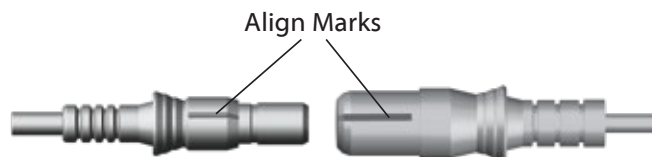


Figure 11c

Step 12) Connect the sure seal ballast cord to the lamp cord. Secure the ballast in a location out of the weather and free from water intrusion.

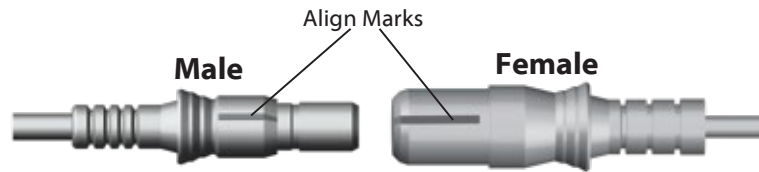


Figure 12

Step 13) There are three stripped wires on the ballast power cord. Connect black to power white to neutral and green to ground. The ballast accepts 120/240/277 volt and is auto sensing. See the Electrical schematics for multiple unit connection.

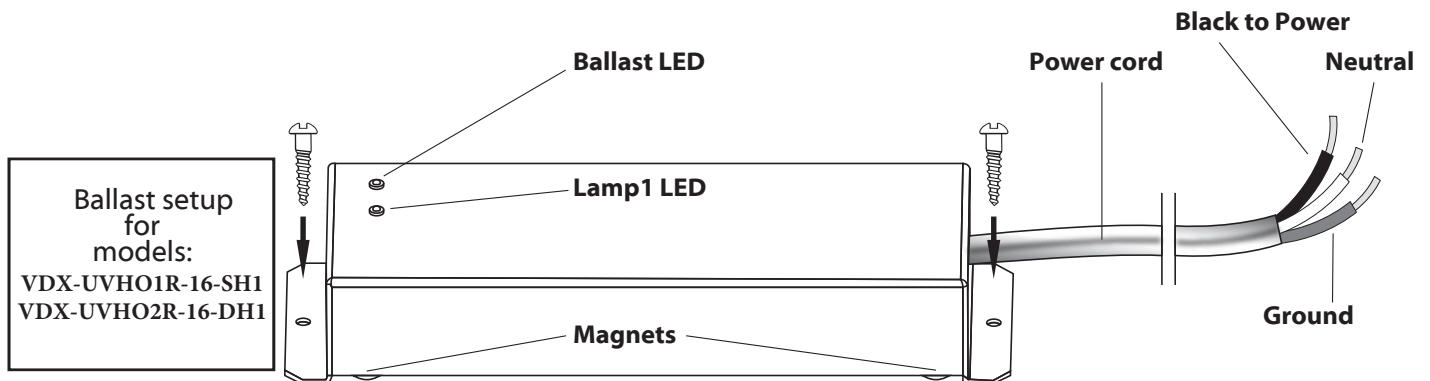
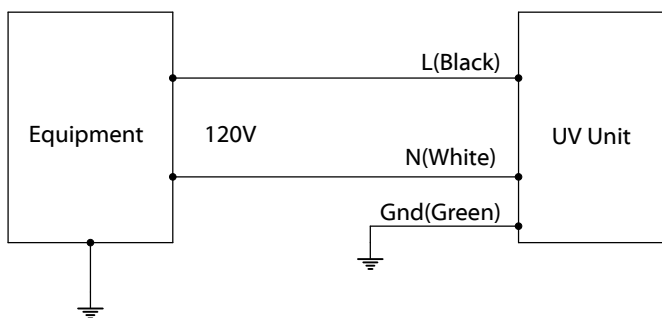


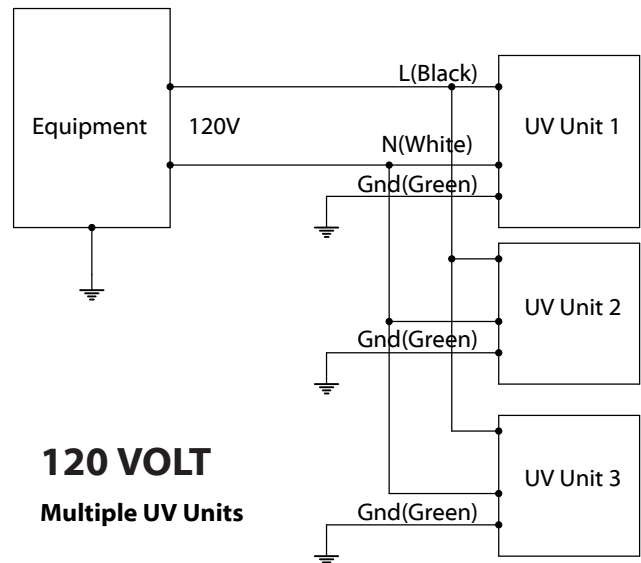
Figure 13

ELECTRICAL SCHEMATICS

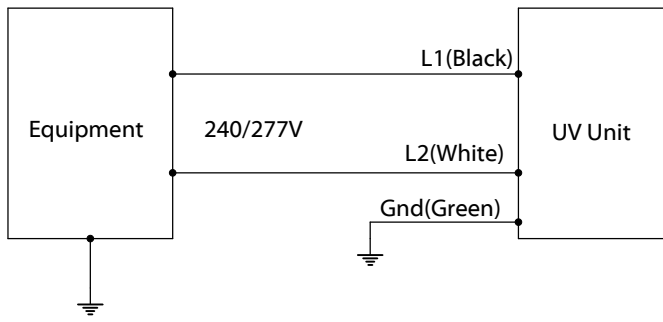
CONNECTION UVC SYSTEM MODELS : VDX-UVHO1R-16-SH1
VDX-UVHO2R-16-DH1



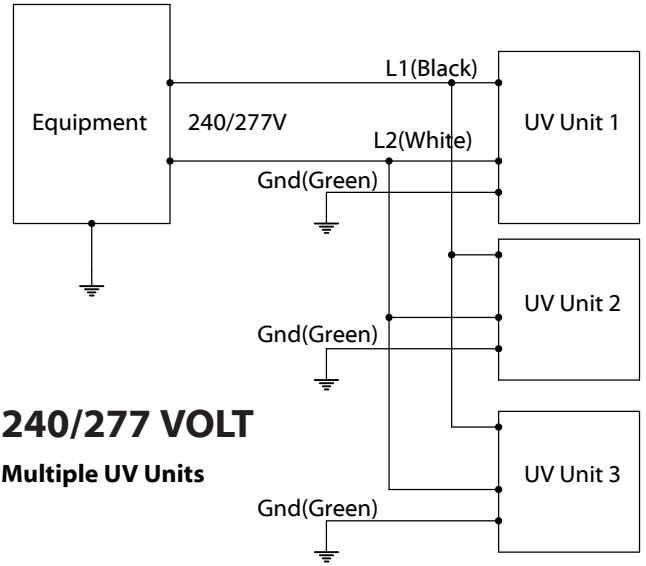
120 VOLT
Single UV Unit connection



120 VOLT
Multiple UV Units



240/277 VOLT
Single UV Unit connection



240/277 VOLT
Multiple UV Units

ELECTRICAL CONNECTION

NOTE: CONSTANT POWER IS RECOMMENDED

Step 14) 120/240/277 Volt. Connect power cord to desired voltage. (See Figure 14)

1. Check that the Ballast LED light is illuminated.
2. Check that the Lamp LED light is illuminated.

This indicates that the ballast & UVC lamp are operating properly. Power cords are UL rated up to 300V.

Ballast setup for models:
 VDX-UVHO1R-16-SH1
 VDX-UVHO2R-16-DH1

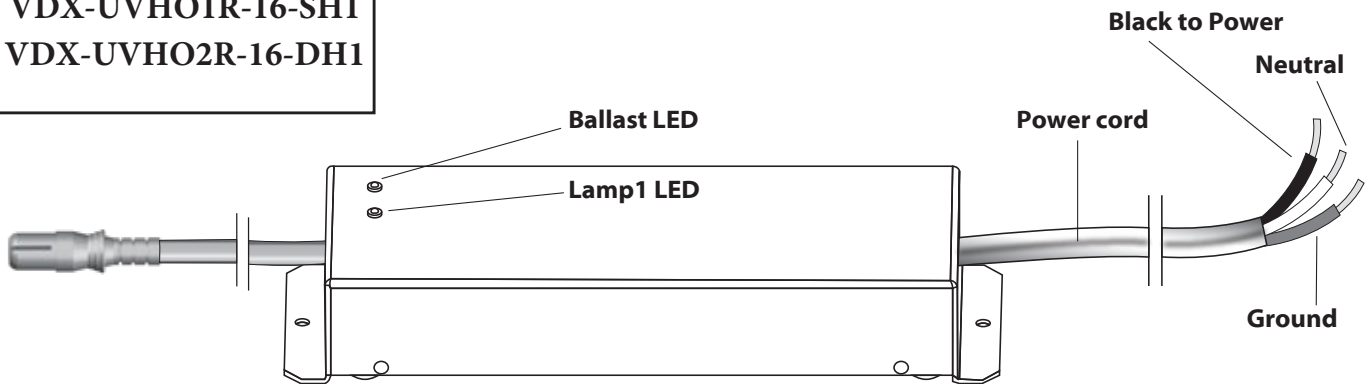


Figure 14

Maintenance

The High Output UVC Sterilization System features 9000 hour UVC Germicidal lamps. Annual replacement & maintenance is recommended to ensure optimum air cleansing & coil disinfection. Contact your local installer or customer service for assistance.

Warranty Information

The limited lifetime warranty covers any defect in materials or workmanship in residential applications. All lamps have a one year limited warranty. The warranty period commences on the purchase date of the product. The warranty does not cover any damage from misuse, neglect or abuse. The UV purifiers must be serviced by a certified HVAC technician on an annual basis. To make a warranty claim contact the original installing contractor with a copy of an original sales receipt or other evidence of the date of purchase.

Note: In some areas air cleaners and Ultra Violet purifiers are covered by medical insurance and may be tax deductible if prescribed by a Physician. This will vary according to local legislation. The following information is usually required.

Physician's Name: _____

Physician's Authorization: _____

Prescription: _____

Patient Name: _____

Address: _____

City: _____ State/Province: _____

Zip /Postal Code: _____