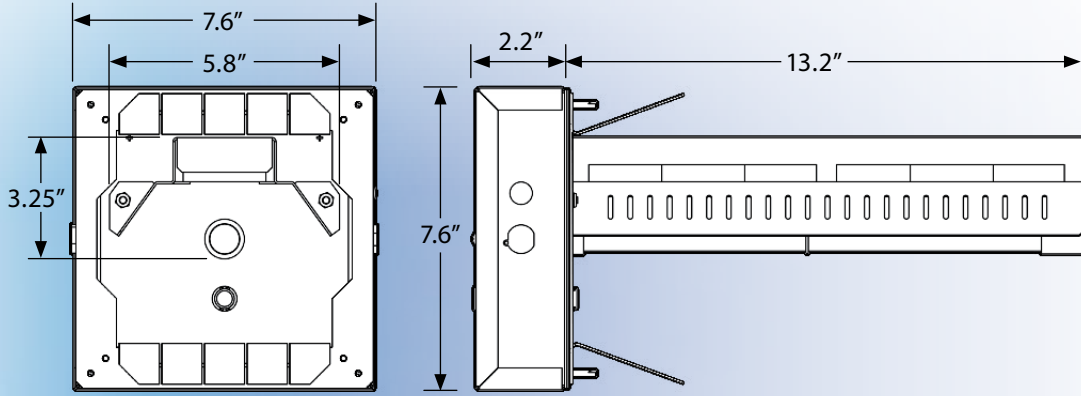


Family of Products



APCO

- High or low-voltage internal power supply
- Slotted flanges enhance air flow
- Ideal for HVAC systems from to 3-7 tons



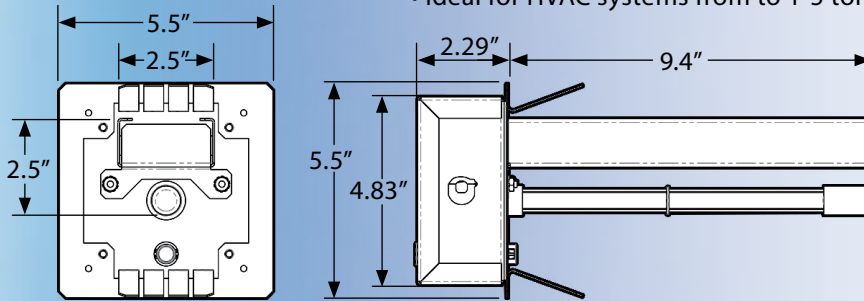
APCO Part #s

- Low-voltage 18-32 VAC
 TUV-APCO-ER
 TUV-APCO-ER2
 TUV-APCO-DER
 TUV-APCO-DER2

- High-voltage 120-277 VAC
 TUV-APCO-SI
 TUV-APCO SI2
 TUV-APCO DI
 TUV-APCO DI2

APCO RT

- High or low-voltage remote power supply
- Requires only 10" clearance within the duct
- Ideal for HVAC systems from to 1-5 tons



APCO RT Part #s

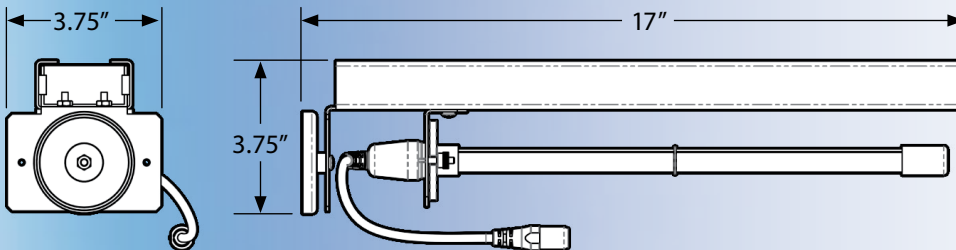
- Low-voltage 18-32 VAC
 TUV-APCO-RT-ER
 TUV-APCO-RT-ER2

- High-voltage 120-277 VAC
 TUV-APCO-RT-ST
 TUV-APCO-RT-ST2
 TUV-APCO-RT-DT
 TUV-APCO-RT-DT2

APCO MAG

- High or low-voltage remote power supply
- Removable magnet for internal mounting
- Ideal for package units

APCO MAG 15

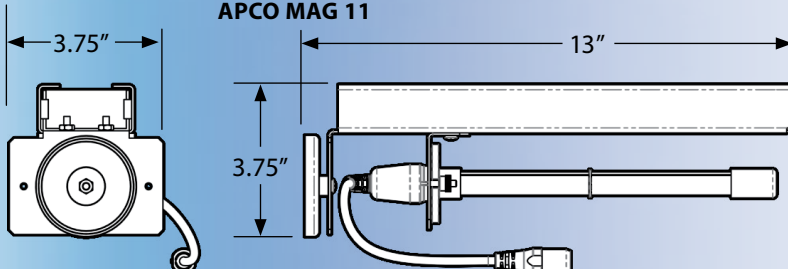


APCO MAG 15 Part #s

- Low-voltage 18-32 VAC
 TUV-APCO-MAG15-ER
 TUV-APCO-MAG15-ER2

- High-voltage 120-277 VAC
 TUV-APCO-MAG15-ST
 TUV-APCO-MAG15-ST2
 TUV-APCO-MAG15-DT
 TUV-APCO-MAG15-DT2

APCO MAG 11



APCO MAG 11 Part #s

- Low-voltage 18-32 VAC
 TUV-APCO-MAG11-ER
 TUV-APCO-MAG11-ER2

- High-voltage 120-277 VAC
 TUV-APCO-MAG11-ST
 TUV-APCO-MAG11-ST2
 TUV-APCO-MAG11-DT
 TUV-APCO-MAG11-DT2

FRESH-AIRE UV[®]
APCO[®]
 WHOLE-HOUSE AIR PURIFIER

Installation Examples

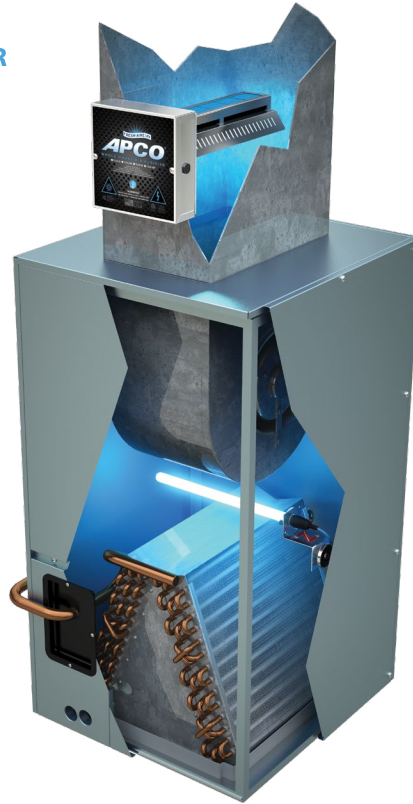
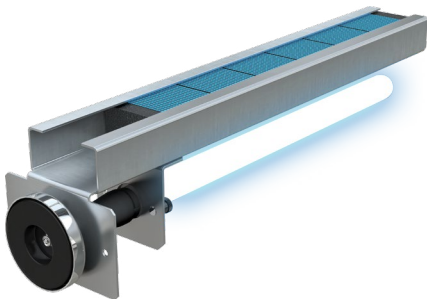
APCO[®]



APCO[®] RT



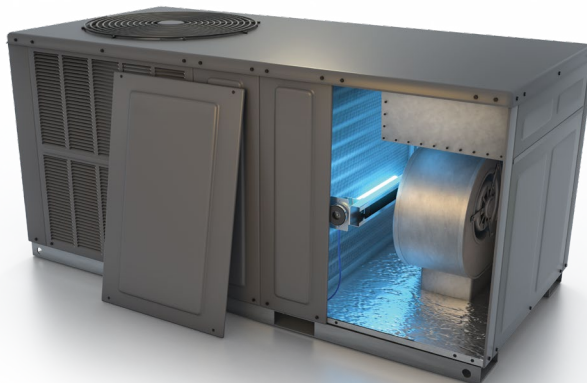
APCO[®] MAG



APCO[®] Dual
 Installed in Air Handler



APCO[®] RT
 Installed in Furnace



APCO[®] Mag Installed in Package Unit



800-741-1195

WWW.FRESH-AIREUV.COM

Made in USA

